

RODAJA INSTITUCIONAL CARGA LIGERA



Durable Superior Casters® 09 & 10 Series light duty casters are available in swivel & Rigid designs; they offer exceptional mobility and durability in light duty applications and are made to be economical yet, provide reliable quality.

This series is most popular for use in the institutional & service industries in the following applications: Food service equipment, service carts & racks, furniture, retail displays and merchandisers, garment racks & shelving, office equipment, medical & institutional equipment, etc.

- Double ball raceways offer improved swiveling action and durability.
- Standard Zinc plated finish is attractive and corrosion resistant.
- 5/16" Axle & nut.
- Economically priced for light duty applications.
- Good variety of fastening options.
- NSF Listed.



Brake Options



Side Brake =S



Vertical Top Lock Brake (V)



Top Lock Brake (T)

Other Options

Rivet Axle | J

Fastening Options (Replace ** in part number with desired plate or stem code)

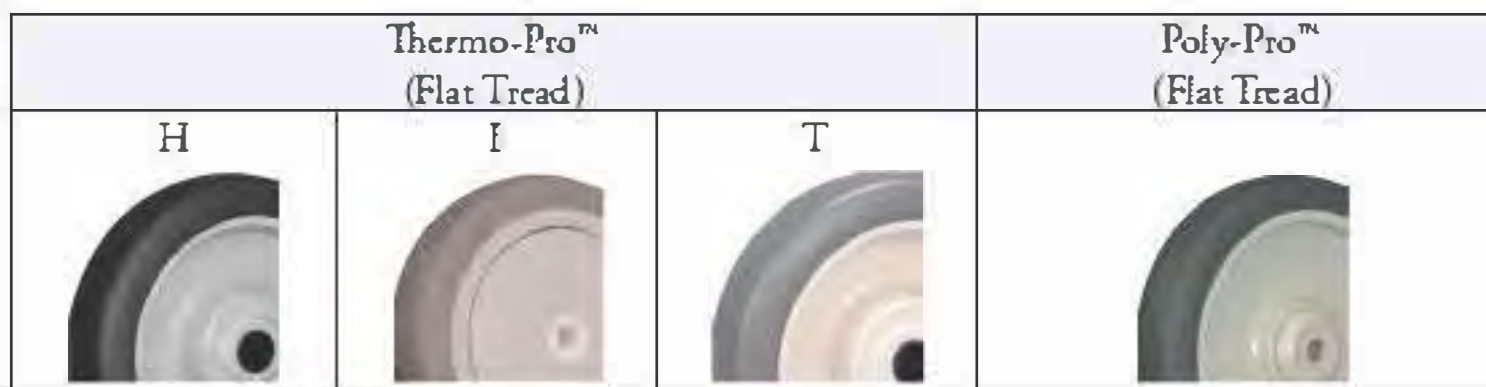
Plate Code	Overall Size	Bolt Hole Pattern	Mounting Bolt Size		
06	2-3/8 x 3-5/8	1-3/4 x 2-7/8 slotted to 3	5/16		
08	1-3/4 x 3	1 x 2-3/16 slotted to 2-5/16	5/16		
Stem Code	Size	Stem Type	Stem Code	Size	Stem Type
33	7/16-14 x 1-1/2	Threaded	73	.928 - 1.029	Expandable Adapter
42	7/8 x 2	Octagon w-5/16 Cross drilled Holes	74	1.030 - 1.140	Expandable Adapter
62	3/8-16 x 1-1/2	Threaded	75	1.360 - 1.425	Expandable Adapter
64	3/8-16 x 1-3/8	Threaded	76	1.426 - 1.589	Expandable Adapter
66	1/2-13 x 3/4	Threaded	77	1.790 - 1.850	Expandable Adapter
68	1/2-13 x 1-1/2	Threaded	79	7/16 x 2-1/4	Threaded
70	1-1/2-13 x 2-3/4	Threaded	86	1 (3/4) x 13/16	Pipe Thread (NPT34)
71	.720 - .851	Expandable Adapter	91	7/16 x 1-3/8	Grip Ring
72	.852 - .927	Expandable Adapter	97	7/16 x 2	Grip Ring

17 ● RACKART (81) 8370-7011



RoHS Compliant

RODAJA INSTITUCIONAL CARGA LIGERA



Wheel Diameter	Tread Width	Wheel Type	Load Capacity	Bearing Type	Swivel Caster Part#	Rigid Caster Part#	T2 Total-Lock Swivel Caster	+Color	Overall Height	Swivel Radius	Available Fasteners
3	1	Hard Rubber	125	Plain	09HR30DB81**YY	10HR30DB81**YY	T2HR30DB81**YY	H, T	*3-5/8	2-5/8	06, 08, 33, 62, 66, 68, 70, 71, 72, 72.74, 75, 76, 77, 79, 86, 91, 97
		Polyolefin	175	Plain	09PO30DB81**YY	10PO30DB81**YY	T2PO30DB81**YY				
		Poly-Pro™	125	Plain	09PP30DT81**YY	10PP30DT81**YY	T2PP30DT81**YY				
		Soft Rubber	100	Plain	09SR30DB81**YY	10SR30DB81**YY	T2SR30DB81**YY				
		Thermo-Pro™	120	Plain	09TP30D+81**YY	10TP30D+81**YY	T2TP30D+81**YY				
		Thermo-Pro™	120	Precision BB	09TP30D148**YY	10TP30D148**YY	T2TP30D148**YY				
4	1	Hard Rubber	140	Plain	09HR40DB81**YY	10HR40DB81**YY	T2HR40DB81**YY	H, T	*4-5/8	3-1/4	06, 08, 33, 62, 66, 68, 70, 71, 72, 72.74, 75, 76, 77, 79, 86, 91, 97
		Polyolefin	175	Plain	09PO40DB81**YY	10PO40DB81**YY	T2PO40DB81**YY				
		Poly-Pro™	140	Plain	09PP40DT81**YY	10PP40DT81**YY	T2PP40DT81**YY				
		Soft Rubber	125	Plain	09SR40DB81**YY	10SR40DB81**YY	T2SR40DB81**YY				
		Thermo-Pro™	125	Plain	09TP40D+81**YY	10TP40D+81**YY	T2TP40D+81**YY				
		Thermo-Pro™	125	Precision BB	09TP40D148**YY	10TP40D148**YY	T2TP40D148**YY				
5	1	Hard Rubber	145	Plain	09HR50DB81**YY	10HR50DB81**YY	T2HR50DB81**YY	H, T	*5-5/8	3-7/8	06, 08, 33, 62, 66, 68, 70, 71, 72, 72.74, 75, 76, 77, 79, 86, 91, 97
		Polyolefin	175	Plain	09PO50DB81**YY	10PO50DB81**YY	T2PO50DB81**YY				
		Poly-Pro™	145	Plain	09PP50DT81**YY	10PP50DT81**YY	T2PP50DT81**YY				
		Soft Rubber	125	Plain	09SR50DB81**YY	10SR50DB81**YY	T2SR50DB81**YY				
		Thermo-Pro™	135	Plain	09TP50D+81**YY	10TP50D+81**YY	T2TP50D+81**YY				
		Thermo-Pro™	135	Precision BB	09TP50D148**YY	10TP50D148**YY	T2TP50D148**YY				

*Reduce overall height 3/32 for stem casters

RODAJA INSTITUCIONAL CARGA LIGERA

T2 Total-Locking Series swivel casters, provide a way to simultaneously lock both the swivel raceway and the wheel with the depression of a single pedal; making the unit stationary. The T2 series is a modified 09 series caster with the addition of a trailing edge pedal brake; that is easily accessible and easy to use.

